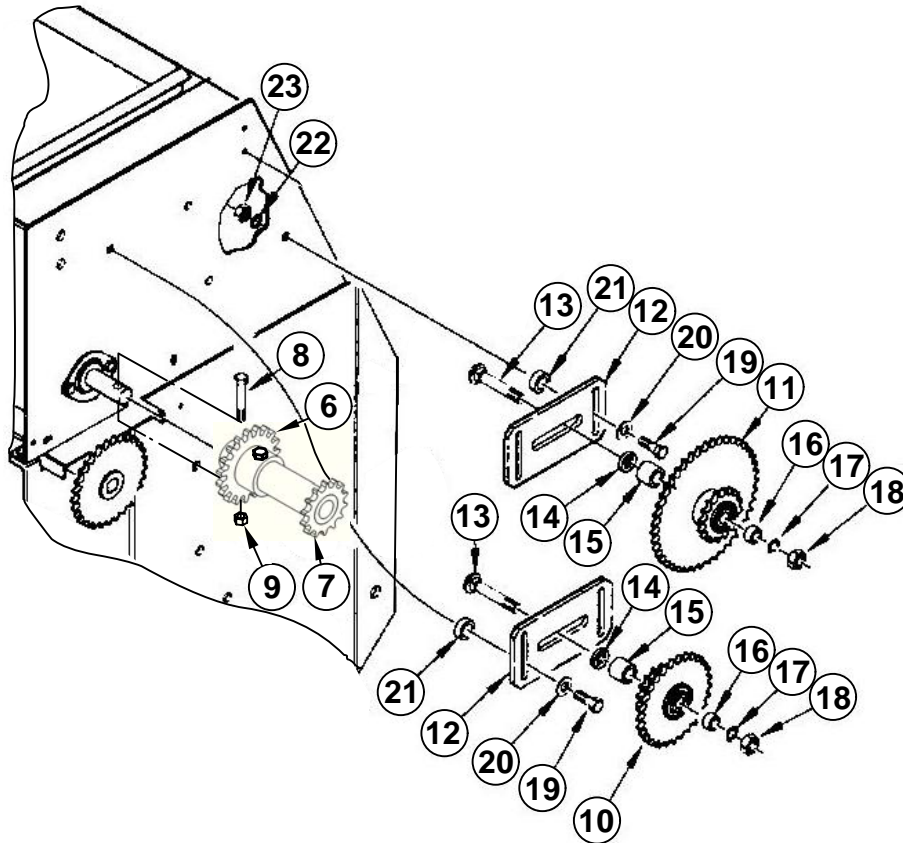
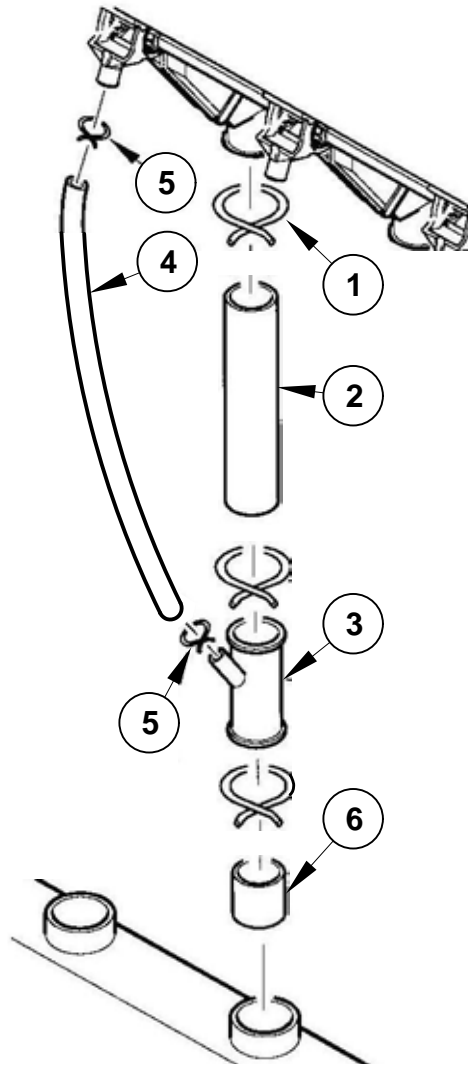




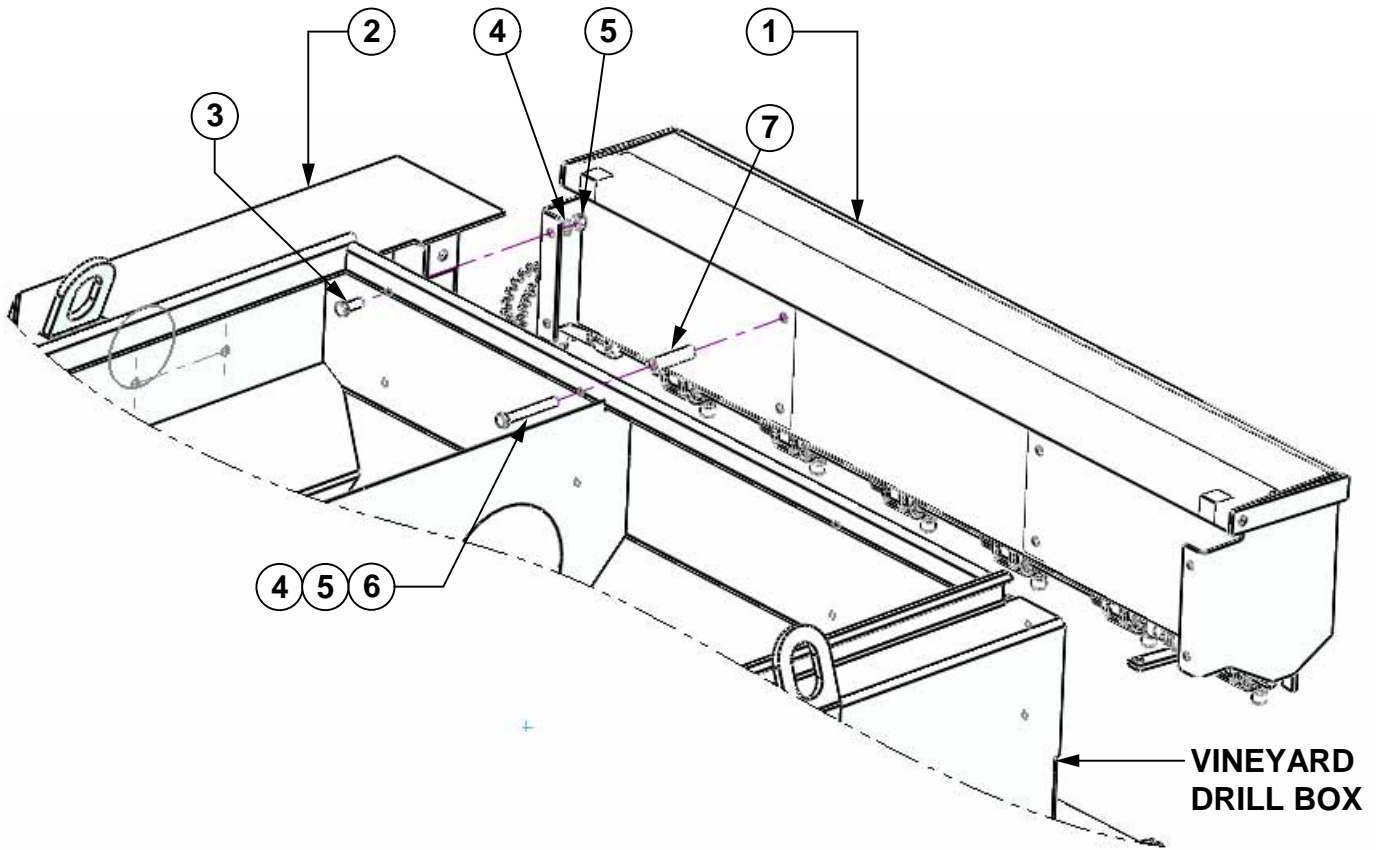
<u>Ref No.</u>	<u>Part No.</u>	<u>Description</u>
1.	SSA-48A000	4 Ft. Small Seed Attachment Box Weldment
	SSA-60A000	5 Ft. Small Seed Attachment Box Weldment
2.	SSA-48B000	4 Ft. Small Seed Attachment Lid Weldment
	SSA-60B000	5 Ft. Small Seed Attachment Lid Weldment
6.	308-312D	Small Seed Attachment Cup Shaft
7.	817-010C	Grass Seeder Sprocket
8.	GPN-02X12C	1/8" Cotter Pin
9.	SSNC-05X06	5/16" Screw Set
10.	817-504C	Grass Seeder Cup Assembly
11.	817-009C	Grass Seeder Sleeve
12.	804-042C	Grass Seeder Cup Shaft Washer
13.	GPN-02X12R	1/8" Roll Pin
15.	800-028C	Snap Ring .875"
16.	HXNUT-04NC	1/4" NC Hex Nut
17.	GMB-LATCH3	Lid Latch
18.	123-118D	Seed Adjustment Support
19.	123-050H	Adjustment Handle Pivot
20.	GPN-02X28C	5/32" Cotter Pin
26.	890-349C	3/8" Shaft Locking Collar
27.	123-476H	Seed Rate Adjustment Handle
28.	803-058C	5/16" Wing Nut
29.	123-113D	Lock Tab
30.	CSNC505012	5/16" X 3/4" NC Cap Screw
31.	CSNC#08006R	#8 X 3/8" Round Head Screw
32.	FWASHER#08	#8 Flat Washer
33.	HXNUT#08NC	#8 NC Hex Nut
34.	LWASHER#08S	#8 Internal Star Lock Washer
35.	123-410D	Gauge Mounting Bracket
36.	819-041C	Seed Adjustment Gauge
38.	LWASHER-04	1/4" Lock Washer
39.	123-116D	Seed Adjustment Spool
40.	804-044C	Machined Washer 1.38" X .876" X .048"
41.	817-026C	Drive Sprocket Hanger Bearing
42.	SSA-00D200	19-25 Double Reversible Sprocket
43.	SSA-00D100	Small Seed Box Sprocket Extension Shaft
44.	CSNC504012	1/4" X 3/4" NC Cap Screw



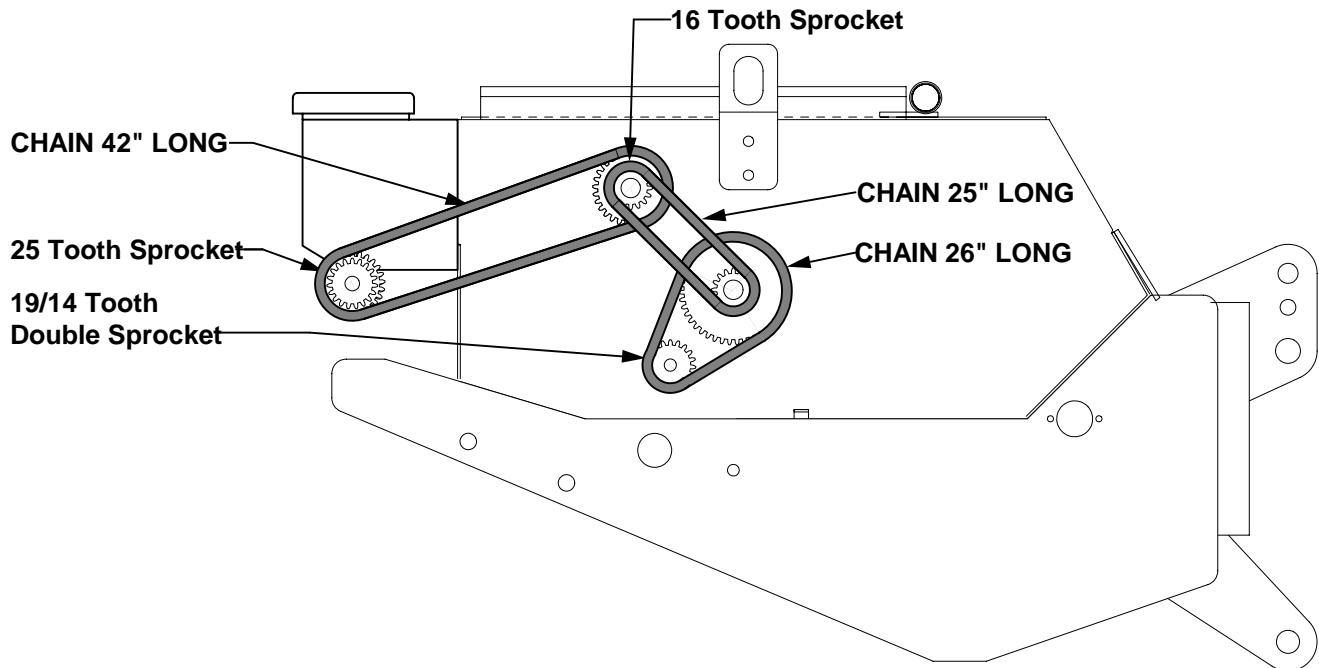
<u>Ref No.</u>	<u>Part No.</u>	<u>Description</u>
6.	SSA-00E200	19-T Agitator Sprocket Weldment
7.	SSA-00E100	14-T Agitator Sprocket Weldment
8.	CSNC504032	1/4" X 2" NC Cap Screw
9.	HXNUT-04NC	1/4" NC Hex Nut
10.	308-231S	16/29 Double Sprocket Assy (includes bearing and snap ring)
11.	308-232S	16/43 Double Sprocket Assy (includes bearing and snap ring)
12.	308-313D	Small Seed Box Drive Idler Plate
13.	CSNC510048	5/8" X 3" NC Cap Screw
14.	308-317D	Flat Washer 21/32" Square X 1-1/2"
15.	308-315D	Spacer 1" OD X .856"
16.	308-314D	Spacer 1" OD X 1/4"
17.	LWASHER-10	5/8" Lock Washer
18.	HXNUT-10NC	5/8" NC Hex Nut
19.	CSNC506024	3/8" X 1-1/2" NC Cap Screw
20.	FWASHER-06	3/8" Flat Washer
21.	308-316D	Spacer 3/4" OD X 3/8"
22.	LWASHER-06	3/8" Lock Washer
23.	HXNUT-06NC	3/8" NC Hex Nut



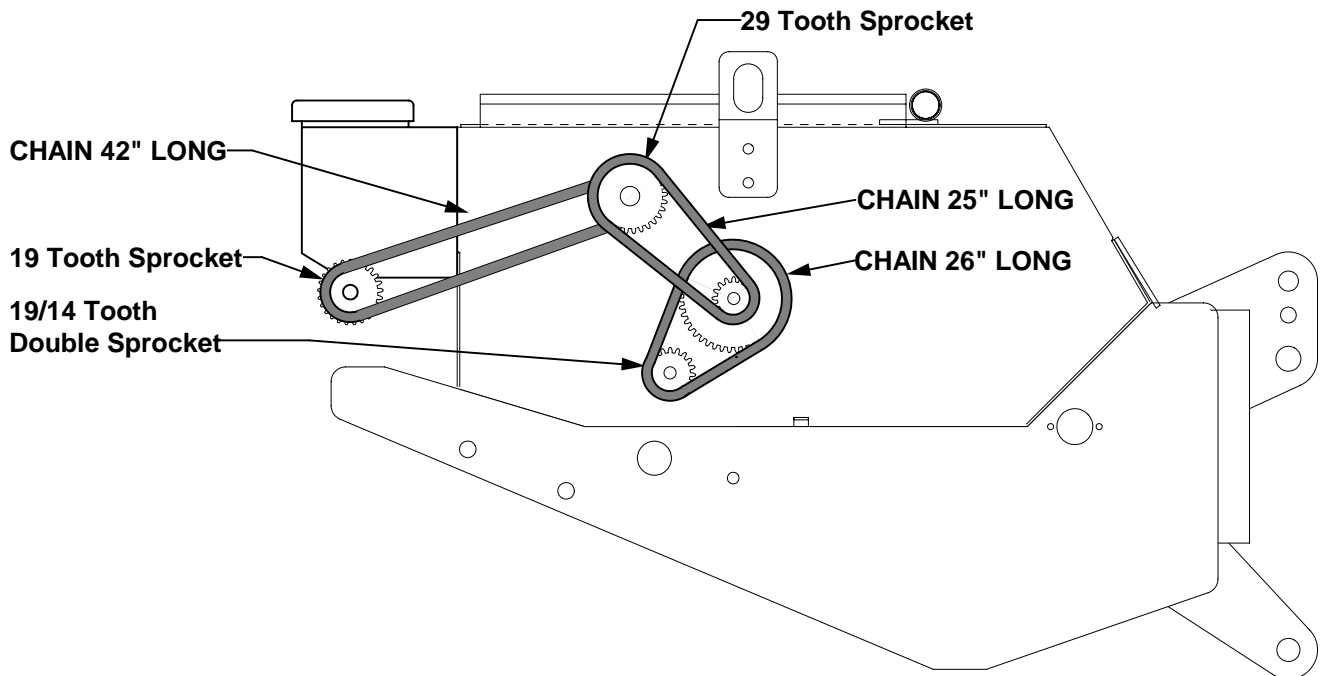
<u>Ref No.</u>	<u>Part No.</u>	<u>Description</u>
1.	800-009C	1-5/8" Clamp No.26
2.	816-114C	Seed Hose 30 Rib
3.	817-052C	Grass Seed Drop Tube 1-1/2"
4.	GMB-HOSE10	5/8" H-Brade Hose
5.	800-029C	Grass Seed Hose Clamp
6.	816-285C	Grass Seed Drop Tube Connection Hose 1-1/2"



<u>Ref No.</u>	<u>Part No.</u>	<u>Description</u>
1.	SSA-48A000 SSA-60A000	4 Ft. Small Seed Attachment Box 5 Ft. Small Seed Attachment Box
2.	SSA-00C000	Chain Guard Weldment
3.	CSNC506016	3/8" X 1" NC Cap Screw
4.	LWASHER-06	3/8" Lock Washer
5.	HXNUT-06NC	3/8" NC Hex Nut
6.	CSNC506056	3/8" X 3-1/2" NC Cap Screw
7.	SSA-00A006	Small Seed Box Mounting Spacer



LOW RANGE



HIGH RANGE



BENTGRASS	CUP SETTINGS																				
	0	5	10	15	20	25	30	35	40	45	50	55	60	65	70	75	80	85	90	95	100
POUNDS PER 1000 SQ. FT.	0.0	0.0	0.0	0.0	0.1	0.1	0.1	0.1	0.1	0.2	0.2	0.2	0.2	0.2	0.2	0.2	0.3	0.3	0.3	0.3	0.3
POUNDS PER ACRE	0.0	0.0	0.0	1.3	2.4	3.2	4.0	5.1	6.1	6.8	7.8	8.2	8.8	9.3	9.8	10.3	10.7	11.1	11.6	11.7	11.9

BERMUDA (HULLED)	CUP SETTINGS																				
	0	5	10	15	20	25	30	35	40	45	50	55	60	65	70	75	80	85	90	95	100
POUNDS PER 1000 SQ. FT.	0.0	0.0	0.0	0.0	0.1	0.1	0.1	0.1	0.1	0.2	0.2	0.2	0.2	0.2	0.2	0.3	0.3	0.3	0.3	0.4	0.4
POUNDS PER ACRE	0.0	0.5	1.0	1.7	2.5	3.1	3.9	4.6	5.5	6.3	7.2	7.9	8.7	9.5	10.4	11.3	12.3	13.3	14.3	15.1	15.9

BERMUDA (UNHULLED)	CUP SETTINGS																				
	0	5	10	15	20	25	30	35	40	45	50	55	60	65	70	75	80	85	90	95	100
POUNDS PER 1000 SQ. FT.	0.0	0.0	0.0	0.0	0.1	0.1	0.1	0.1	0.1	0.1	0.1	0.1	0.1	0.1	0.2	0.2	0.2	0.2	0.2	0.2	0.3
POUNDS PER ACRE	0.0	0.0	0.9	1.4	2.0	2.5	3.0	3.7	4.3	4.7	5.3	5.5	5.9	6.2	6.7	7.2	7.9	8.7	9.8	10.4	11.3

FESCUE, K 31	CUP SETTINGS																				
	0	5	10	15	20	25	30	35	40	45	50	55	60	65	70	75	80	85	90	95	100
POUNDS PER 1000 SQ. FT.	0.0	0.0	0.0	0.0	0.0	0.1	0.1	0.1	0.1	0.1	0.2	0.2	0.2	0.2	0.2	0.2	0.3	0.3	0.3	0.3	0.3
POUNDS PER ACRE	0.0	0.0	0.0	1.1	1.7	2.4	3.1	4.0	5.1	6.1	6.9	7.7	8.4	9.0	9.5	10.1	10.5	10.9	11.2	11.7	12.1

KENTUCKY BLUEGRASS	CUP SETTINGS																				
	0	5	10	15	20	25	30	35	40	45	50	55	60	65	70	75	80	85	90	95	100
POUNDS PER 1000 SQ. FT.	0.0	0.0	0.0	0.0	0.0	0.1	0.1	0.1	0.1	0.1	0.2	0.2	0.2	0.2	0.2	0.2	0.3	0.3	0.3	0.3	0.3
POUNDS PER ACRE	0.0	0.0	0.3	1.4	2.0	3.4	3.9	4.8	5.5	6.2	6.9	7.6	8.1	8.8	9.4	9.9	10.5	11.1	11.6	12.1	12.6

PERENNIAL RYEGRASS	CUP SETTINGS																				
	0	5	10	15	20	25	30	35	40	45	50	55	60	65	70	75	80	85	90	95	100
POUNDS PER 1000 SQ. FT.	0.0	0.0	0.0	0.0	0.1	0.1	0.1	0.1	0.2	0.2	0.2	0.2	0.3	0.3	0.3	0.3	0.4	0.4	0.4	0.4	0.4
POUNDS PER ACRE	0.0	0.0	0.8	1.5	2.4	3.6	4.9	6.1	7.3	8.4	9.6	10.5	11.5	12.4	13.5	14.5	15.5	16.3	16.9	17.2	17.4